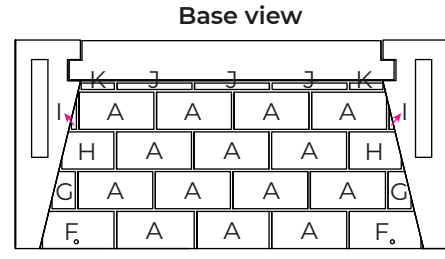
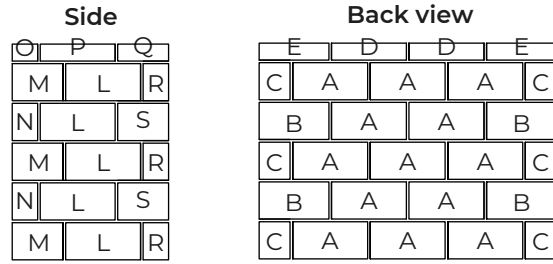


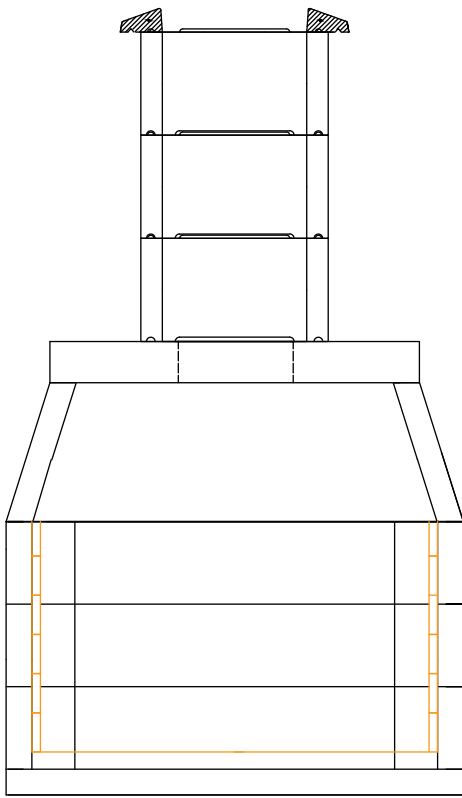
FireBricks

- A 230 X 114 X 50mm
- B 214 X 114 X 50mm
- C 95 X 114 X 50mm
- D 230 X 52 X 50mm
- E 214 X 52 X 50mm
- F 220 X 114 X 50mm
- G 71 X 114 X 50mm
- H 160 X 114 X 50mm
- I 15 X 114 X 50mm
- J 230 X 20 X 50mm
- K 102 X 20 X 50mm
- L 230 X 114 X 25mm
- M 156 X 114 X 25mm
- N 78 X 114 X 25mm
- O 78 X 52 X 25mm
- P 230 X 52 X 25mm
- Q 156 X 52 X 25mm
- R 78 X 114 X 25mm
- S 156 X 114 X 25mm



8mm gap between bricks.
Bedded on 1-3mm thick firebrick mortar.

Firebricks to be glued on and pointed with the calderys firebrick mortar as per enclosed instructions.




Base firebricks to be laid first, followed by the back then the sides.
Please allow 72 hours to dry before using.

Measure in mm

Subject:

Perisher Outdoor Fireplace - Firebrick Plan

 T. 1300 212 213 www.ochreliving.com.au	Area: dm ²	Scale:	Date: 02/09/20	Drawing No: Perisher Firebrick Plan
	Mass: l.	Tol.: ± 3 mm	Rev.: 3	Drawn By: T Oliver
	Material: Pumice			